

# KKL2X300VB

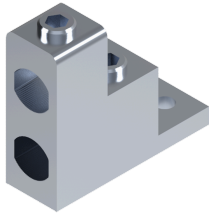
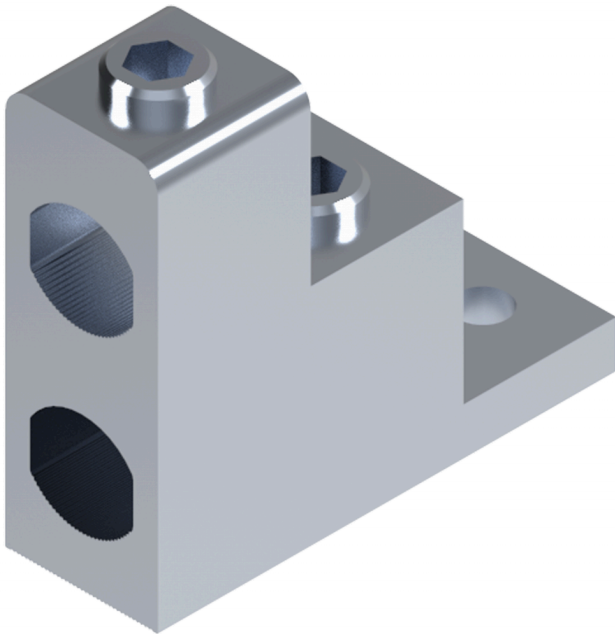
## Cable Connectors

- Sales unit = 1 pc
- Suitable for Al/Cu cables
- Material: tin-coated aluminium
- IEC 61238-1 Class A
- Environmentally friendly materials

**Conductors per cross section (mm<sup>2</sup>) table**  
>>

**KKL Installation Instructions** >>

**Compatibility tables** >>



Data subject to change without notice. Always confirm the data is correct from the seller.

## Product details

<b>SKU</b>	KKL2X300VB
<b>Al mm<sup>2</sup></b>	95-300
<b>Color</b>	Standard
<b>Cu mm<sup>2</sup></b>	95-300
<b>E-Number</b>	1942116
<b>EAN</b>	6419410484357
<b>In (Al) (A)</b>	800
<b>In (Cu) (A)</b>	1040
<b>Key size</b>	Hex 12
<b>Mounting</b>	Bolt M12
<b>Number of Conductors</b>	2
<b>Package size</b>	3
<b>Torque Al/Cu (Nm)</b>	45 (95-120 mm <sup>2</sup> ) / 75 (150-300 mm <sup>2</sup> )
<b>Un (V)</b>	690
<b>Weight (lb/kg)</b>	1.261 / 0.572

## Dimensional drawing

